



PLANETFAN

PRM

TYPE FANS



Republic
of Poland



European Union
European Regional
Development Fund





PRM type fans

PRM type fans are portable radial fans dedicated to grain silos and grain drying floors. They are characterized by both light and rigid structure. Resistant to weather conditions. Welded, robust impellers are perfectly balanced, which guarantees long and trouble-free operation of the motors without damaging the bearings. The fans are equipped with large wheels to facilitate their movement on an uneven surface. Round outlet connector allows easy connection of the fan to the installation. Often used as universally applicable in industries other than agriculture.



The distinguishing features of the PRM series of types are:

- Low energy consumption
- High air volume and pressure
- Low noise
- Mobility, fan equipped with its own large wheels and handle
- Energy-saving motors with efficiency class IE3
- High-quality workmanship
- Durable and solid construction

The design of PRM fans focuses on the full use of the installed motor power. Thanks to this, the fans achieve high flow parameters. This results in lower electricity consumption per unit of the transmitted air volume. A modern impeller generates higher pressures, thus pushing large amounts of air through various types of grains. The motors withstand rainfall. The fans are easy to transport between silos.

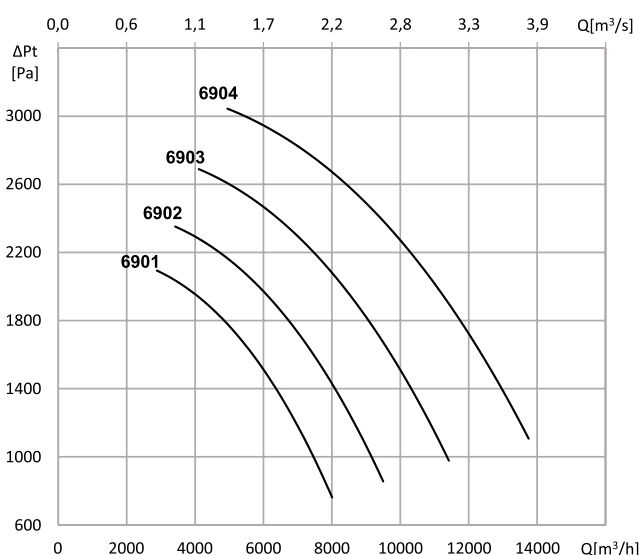
Standard version:

- power supply: 3~ 230 / 400V; 400 / 690V,
- asynchronous motors, ingress protection IP55, equipped with sealed, maintenance-free bearings
- impellers welded, powder coated,
- hot-dip galvanized casings,
- figure RD270 (air outlet in the horizontal direction located at the bottom),
- operating temperature: -20 to + 40°C.

Optional versions:

- power supply in the range: 3~ 380 - 460V; 50 or 60Hz,
- IP56 motors, IE4 efficiency class,
- another figure (vertical outlet up or down),
- material: stainless steel, grade 1.4301,
- switch mounted on the housing,
- rain cover at the inlet,
- motors outputs: 11 or 15kW,
- operating temperature: -20 to + 55°C.

Airflow curves:

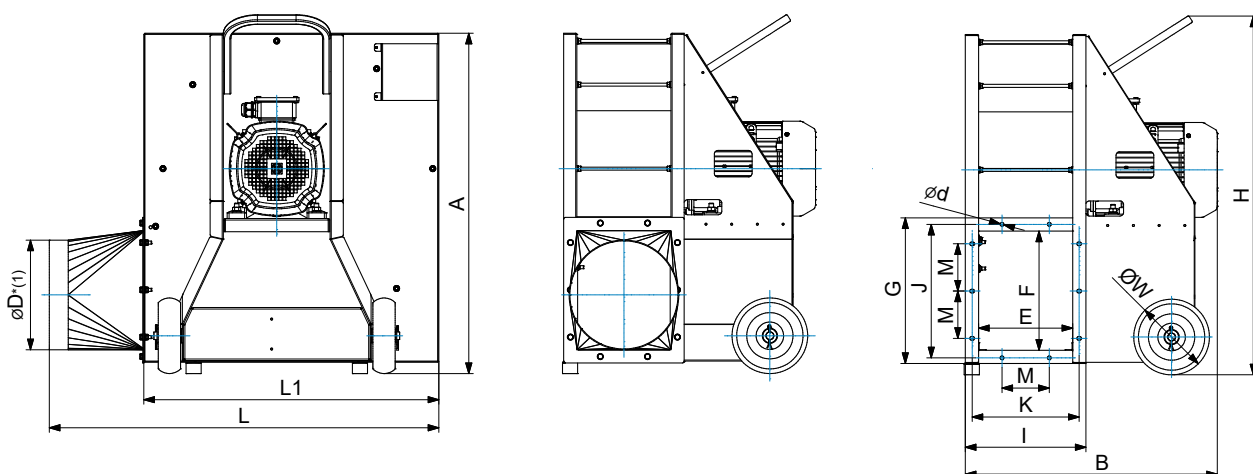


Technical data

Cat. no.	Fan type	Motor output [kW]	Revolution speed [min ⁻¹]	Air volume max [m ³ /h]	Pressure max [Pa]	Outlet connector Ø [mm]	Weight [kg]
6901	PRM1/3,0-2/	3	2915	8000	2100	290	66
6902	PRM1/4,0-2/	4	2925	9500	2350	290	73
6903	PRM2/5,5-2/	5,5	2940	11400	2690	290	99
6904	PRM2/7,5-2/	7,5	2940	13750	3050	290	109

Fans dimensions

Cat. no.	Fan type	A	L	L1	B	H	ØD	Ød	E	F	G	I	J	K	M	W
6901	PRM1/3,0-2/	805	950	700	615	800	290	10	225	280	350	295	318	260	-	200
6902	PRM1/4,0-2/	805	950	700	615	800	290	10	225	280	350	295	318	260	-	200
6903	PRM2/5,5-2/	900	1030	780	700	950	290	10	249	315	385	319	353	283	125	200
6904	PRM2/7,5-2/	900	1030	780	700	950	290	10	249	315	385	319	353	283	125	200



NOTE: outlet connection ØD * (1) disassembled at the factory for the time of transport.



PRM
TYPE FANS



Planetfan - is ISO 9001: 2015 certified quality.

Planetfan Ltd. is a producer of axial and radial fans. It has an engineering staff and its own research laboratory to determine flow curves. It produces fans equipped with motors outputs from 0.75 to 200kW. Production takes place in Poland.

The full range of production is available at: www.planetfan.pl

Planetfan sp. z o.o.

ul. Rzemieślnicza 8
41-407 Imielin
Polska (Poland)

☎ +48 32 506 61 10

☎ +48 32 506 61 11

☎ +48 32 506 61 12

✉ info@planetfan.pl

www.planetfan.pl



FAN
TASTIC
RESULTS

